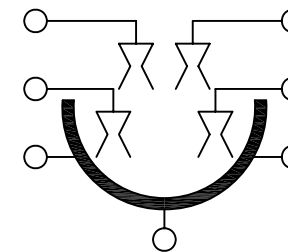
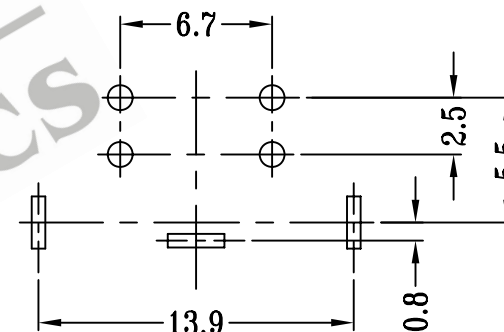
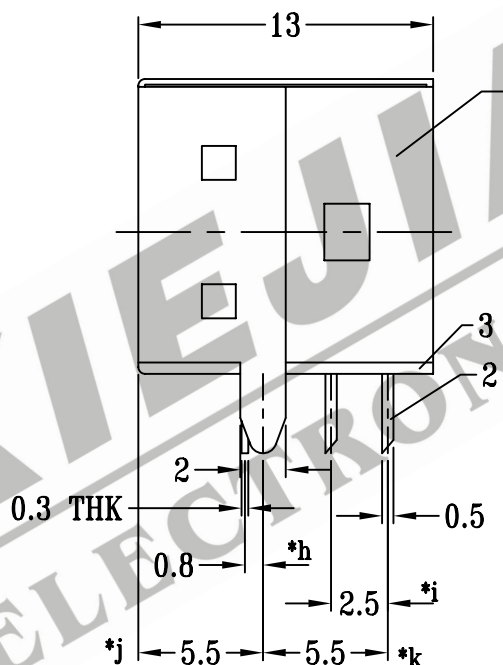
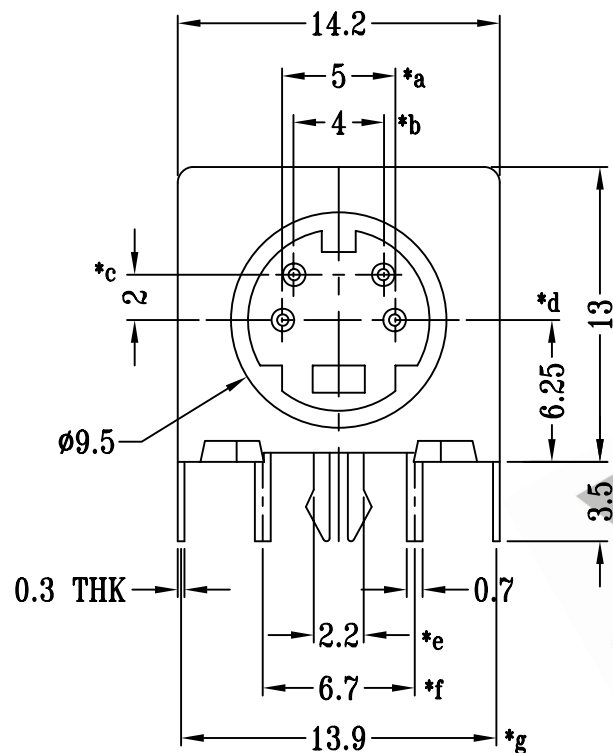


CAD FILE :



SCHMATIC



P.C.B LAYOUT

注:带*表示关键尺寸(11个)

8					TOLERANCE UNLESS SPECIFIED	SHENZHEN XIEJIA ELECTRONICS CO.,LTD.				
7										
6					WITHIN: 1.5±0.1mm OVER : 1.5±0.2mm	ISSUE	DATE	DESCRIPTIONS	APPD	
5										
4					TITLE : DS TERMINAL	UNIT : M M	DRWG NO : XJ-DR-CS104-00			
3	CASE	NYLON	1	BLACK	MODEL: CS-104	SCALE : 3 : 1	DWN.	ZHOUYU	2002-4-21	
2	TERMINAL	PBS STRIP	4	Ag PLATED OVER Ni PLATED			CHK'D	FANGYING	2002-4-21	
1	FRAME	BRASS STRIP	1	Ag PLATED OVER Ni PLATED	ALL MATERIALS MUST BE COMPLIANT TO ROHS			APPD.	KANGXINAN	2002-4-21
NO.	PART NAME	MATERIAL	QTY.	FINISHING						